

Mine Master sp. z o. o.

Wilków, ul. Dworcowa 27
59-500 Złotoryja
tel.: 76 877 81 01, fax: 76 878 41 01

info@minemaster.eu
www.minemaster.eu



Roof Master 1.4A

Ultra-low profile roof bolter with automatic mast

- „High Thrust’ rotary drilling system incorporating dry drilling with dust collection
- Patented drilling system that uses separate drilling and install a 1.2m bolts in 1.6m seem height
- Drilling boom enables the drilling module to install bolts over a 5.0 straight line. The module is also capable of angle bolting. The bolt magazine is capable of holding up to 8 bolts
- Minimum tramming height: 1.4m
- Operator is positioned and located in a comfortable, air-conditioned cabin – that provides excellent visibility whilst bolting
- Ergonomic, fully adjustable operator’s seat with suspension. Hydraulically adjustable operator’s canopy conforming to FOPS&ROPS regulations
- Traction is provided by a totally independent hydraulic system, comprising hydraulic motors directly connected to the wheels

Roof Master 1.4A

Ultra-low profile roof bolter with automatic mast

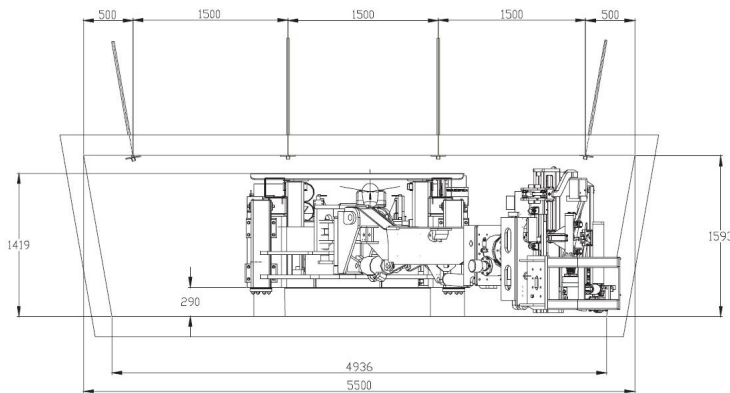


Main components

- Fletcher Heavy duty rotary rock drill
- Fletcher telescopic boom
- Deutz diesel engine
- Tyres 12.00 x 20
- Closed air-conditioned operator's cabin
- Automatic mast with hydraulic drill guide
- Typical installed electric power – 37kW
- Hydraulic axial-piston pump with load sensing controls for tramming
- Hydrostatic motors directly coupled to the wheels
- Hydraulic gear pump for drilling
- Tramming and working lights
- Certified dust collection system
- Fire suppression system

Options

- Electric cable reel with electric cable
- Automatic centralized lubrication system
- Fire detection system
- Additional recirculation independent hydraulic filtration system for both tramming and drilling systems
- Voltage – to suit customer's requirements



Weight and dimensions

Weight	17 300 kg
Length	9 800 mm
Width	2 200 mm
Min. height	1 400 mm
Min. seam width	3 800 mm
Grade ability	15°
Cross-grade	8°
Boom extension	965 mm
Boom lift	+21/-5°
Boom swing	
left	35°
right	35°
Mast rotation	+/-90°