

ProfiPress L II

WEINIG ProfiPress L II

More productivity and flexibility
for your production of solid wood panels



WEINIG ProfiPress L II

Compact gluing press with radio-frequency technology for trade and industry

The ProfiPress L II of the DimterLine is ideal for all manufacturers of high-quality solid wood panels. It is unique in its combination of flexibility and productivity with outstanding quality at the same time. Even on individual and order related production a high daily output is possible.

With the ProfiPress L II even small and medium-sized companies are able to glue economically and market-conform. Extremely short pressing and change-over times and fastest curing ensure a high yield. Exact and firmly closed joints and smooth surfaces make the WEINIG quality obvious.

The new gluing technology guarantees additional cost savings.

The most important technical data:

Pressing bed size	Length from 2500 or 3600 mm x width 1300 mm
Lamella width	30 - 150 mm fix or variable
Timber thickness	10 - 60 (90) mm
Panel length	400 - 6100 mm
Panel width	> 100 mm, freely to choose, max. 1300 mm
Timber species	Soft- and hardwood
Glue type	All types of glue suitable for radio frequency
Radio frequency	20 - 50 kW
Performance	100 - 800 m ² / shift

Up to 50 % less glue consumption

The precision glue application allows an exact application of glue beads.

- First-class gluing quality
- Up to 50% less glue consumption
- Less soiling of the press
- Shorter pressing times



Precise packeting

The packeting unit is travelling automatically into the right position and transfers the glued lamellas onto the feed belt. Thereby the lamellas are perfectly aligned to avoid any mismatch in length. Even on multi-track operation the glued lamellas are exactly positioned.



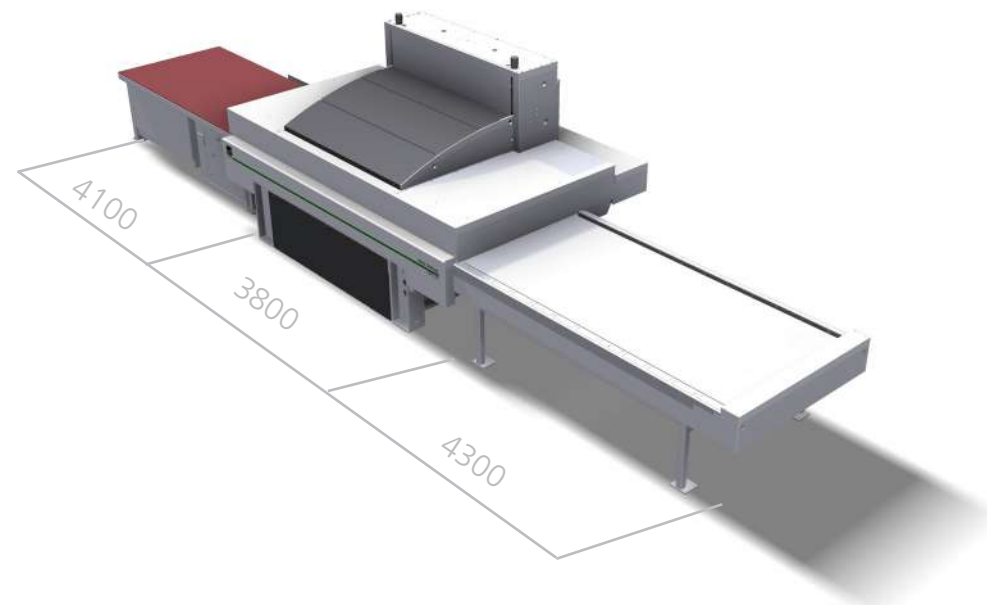
Intelligent heat input

The radio frequency technology reduces pressing times and produces completely cured joints free from tension. Optional with fully automated adjustment and control of radio frequency for an optimal energy input.



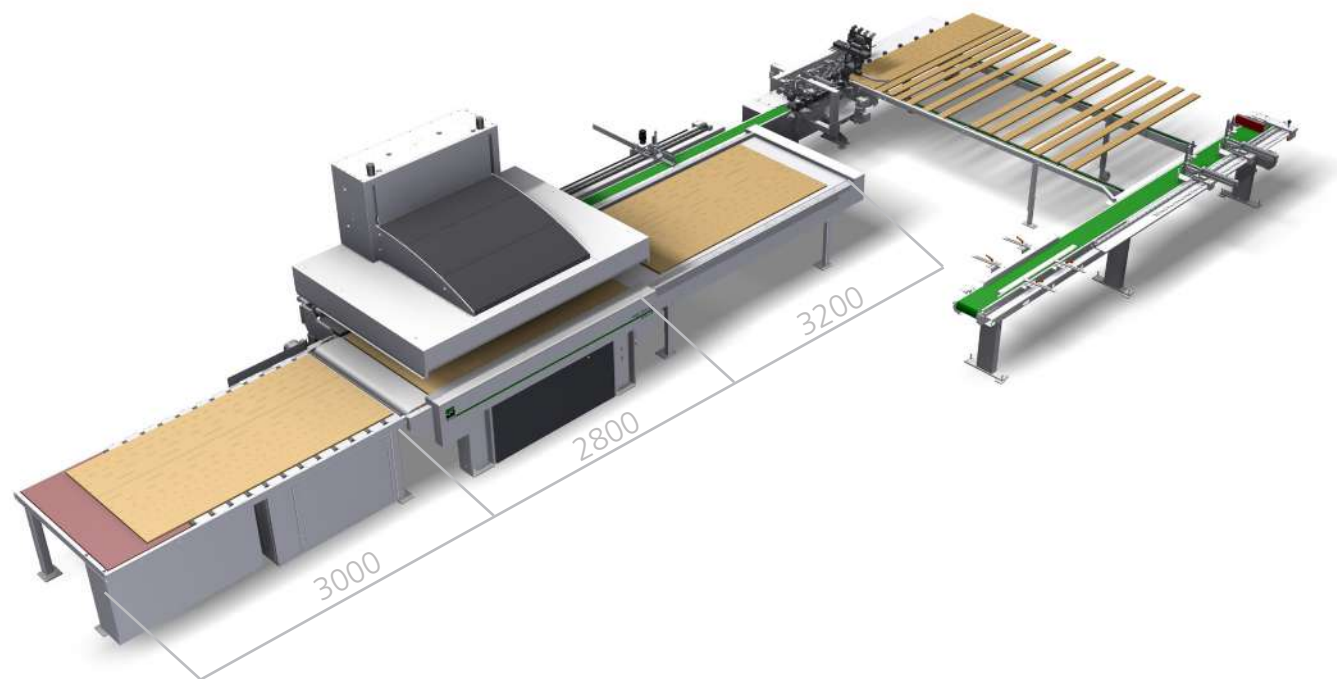
Overall size

The ProfiPress L II is available with pressing bed length 2500 mm and 3600 mm. The feed tables of both types can be enlarged for operation of bigger lengths in 2 pressing cycles. The width of the pressing bed is 1300 mm.



Interlinked working processes

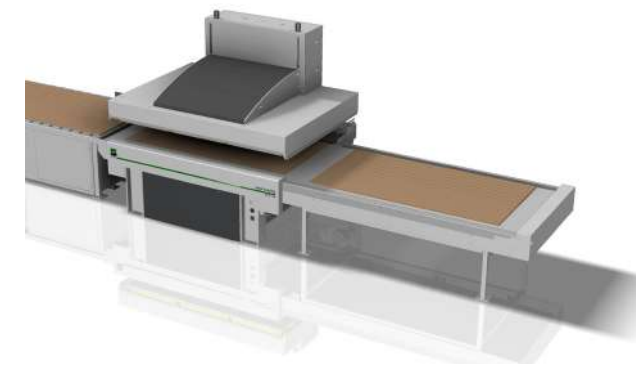
The ProfiPress L II can be interlinked with a planer. The advantage is that destacking at rear of the planer and reloading in front of the ProfiPress is no longer necessary. This saves not only time but also personnel costs. This way of interlinkage automates your process, guarantees highest quality and is also space-saving.



Subject to technical modifications. The information and illustrations in this brochure also include extras which are not part of the standard package. Protective coverings may have been removed for purposes of photography.

From manual to automatic

The ProfiPress L II is available in manual execution, in which the manually glued lamellas are placed upon the feed belt. With the automatic execution, the unglued lamellas are just placed upon the feeding of the gluing station and then they are fed in automatically for glue application and at least for packeting on the feed belt. The ProfiPress L II can only be operated by 1 worker.



More comfort thanks to reduced idle times

No expensive set-up time on change of timber lengths. If timber lengths change, only the necessary number of pressing cylinders have to be selected on the control panel. Optionally the selection can be made fully automatically via control system.



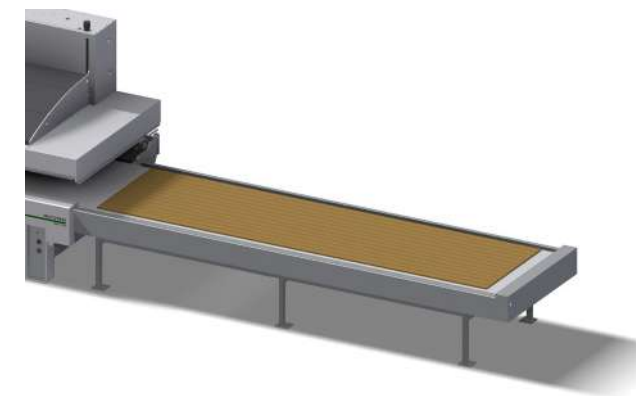
Setting-up without tools

The mode of operation of the ProfiPress L II allows a very user-friendly and quick change of thicknesses. The pressure panels are just laid in. The idle times for change of product are minimized. Thus the availability of the machine is maximized.



Just advance to the next position

The design of the ProfiPress L II makes it possible to press panels in several cycles. Thereby the ingoing timber length can become up to twice as long as the pressing bed itself. This function ensures a maximum of flexibility and space-saving with regard to your hall space.



1016/ST/250_0007-1/Eng



Product Unit Cutting / Gluing

WEINIG DIMTER GMBH & CO. KG
Rudolf-Diesel-Str. 14-16
89257 Illertissen
Germany

Phone +49 7303 15-0
Fax +49 7303 15-199
info-cutting@weinig.com
www.weinig.com